

**George J. Hartman
Architects, P.C.**

6905 Telegraph Road
Suite 101
Bloomfield Hill, MI 48301

248-258-5811 ph.
248-258-5812 fax
hartmanarchitects@ameritech.net

Project:

**Garden City
Community
Pavillion**

Garden City DDA
Garden City, Michigan

Released For:

Design Review Oct 22, 2006

-

-

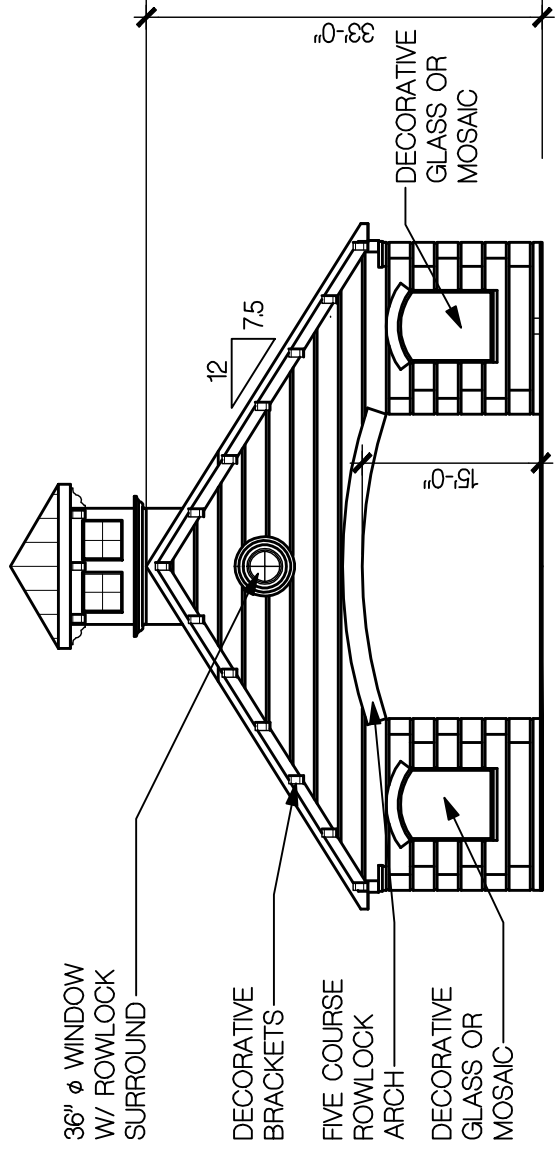
Project Number

0907

Sheet Number

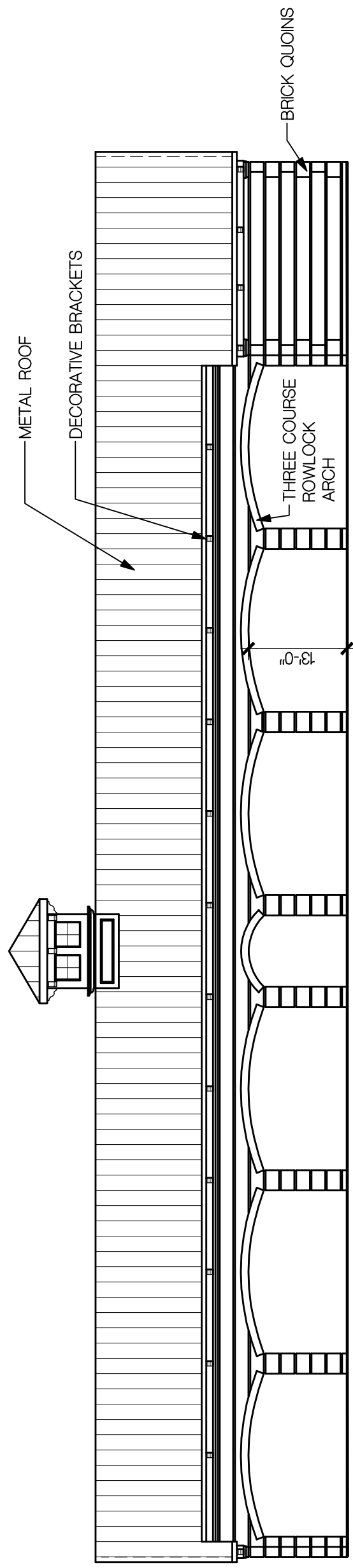
Des-2e

0907 - Design



WEST ELEVATION - DESIGN 'E'

SCALE: 1/16" = 1'-0"
(EAST ELEVATION - OPPOSITE)



SOUTH ELEVATION - DESIGN 'E'

SCALE: 1/16" = 1'-0"
(NORTH ELEVATION - OPPOSITE)